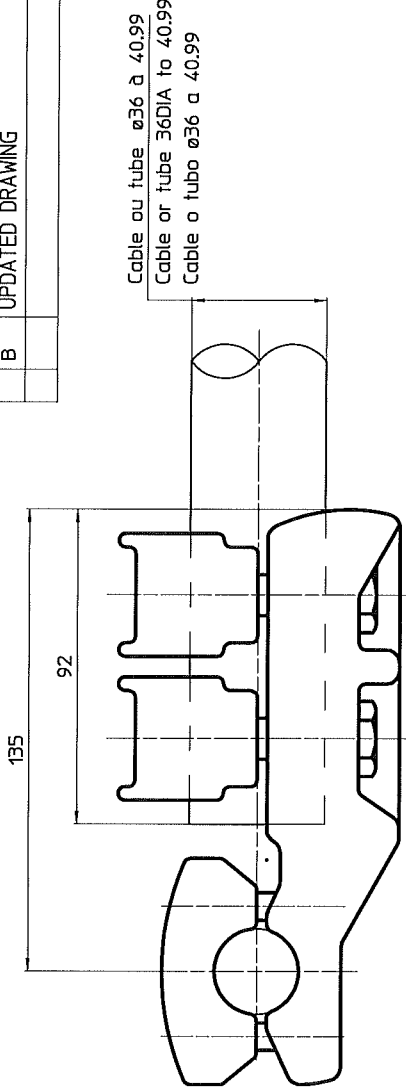


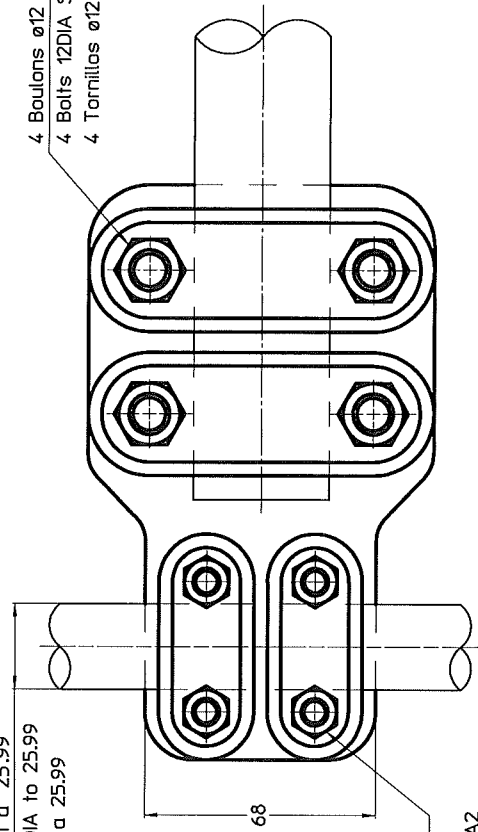
4 3 2 1

THIS DRAWING IS UNPUBLISHED. DROUILLAGE NON PUBLIE. COPYRIGHT 2011 By Tyco Electronics Corporation		REVISIONS DESCRIPTION MODIFICATIONS		DATE	DWG DESS	APVD APPR
LTR REV	P	A	FD653	15-Oct-91	LR	-
B	-	-	UPDATED DRAWING	20-Mar-93	PG	-



Cable ou tube ø36 à 40.99
 Cable or tube 36DIA to 40.99
 Cable o tubo ø36 a 40.99

Cable ou tube ø21 à 25.99
 Cable or tube 21DIA to 25.99
 Cable o tubo ø21 a 25.99



4 Boulons ø8 Acier Inox A2
 4 Bolts 8DIA Stainless steel A2
 4 Tornillos ø8 Acero inoxidable A2

4 Boulons ø12 Acier Inox A2
 4 Bolts 12DIA Stainless steel A2
 4 Tornillos ø12 Acero inoxidable A2

THIS DRAWING IS A CONTROLLED DOCUMENT. CE DROUILLAGE EST UN DOCUMENT CONTROLÉ. TOUTE REVISION DOIT ÊTRE APPRouvÉE PAR LE SERVICE CONCERNÉ. CUALQUIER CAMBIO DEBE SER APROBADO POR EL SERVICIO CORRESPONDIENTE. CONCEPTO DE SERVIDOR TÉCNICO DE CONTROL DE DOCUMENTOS.		DRAWING NO No. PLAN C=706706	DRAWING NO No. PLAN C=706706	RESTRICTED TO RESERVE A -
DIMENSIONS: mm		NAME TITRE T 82 25 40	SIZE FORMAT A3	CASE CODE 00779
TOLERANCES UNLESS OTHERWISE SPECIFIED PER TOLERANCES NON SPECIFIEES SELON :		APVD/APPROUVE -	WEIGHT MASSE APPROX. 1.3 Kg	UNDEPART POUR REFERENCE 2/3
MATERIAL MATIERE -		FINISH FINITION -	CUSTOMER DRAWING / PLAN CLIENT	SCALE ECHELLE 2/3
STE TE connectivity SMMEL PRODUCTS		DRAWING DATE 15-Oct-91	DRAWING NO No. PLAN C=706706	SHEET FEUILLE 1 OF 1 DE 1

ITEM: 2